

VINCENTpartial4

Active multiarticulating partial hand



higher grasping force | anatomical design | single finger control
 unique scope of functions | simple control of all grasps
 high-strength lightweight constructions



made in Germany

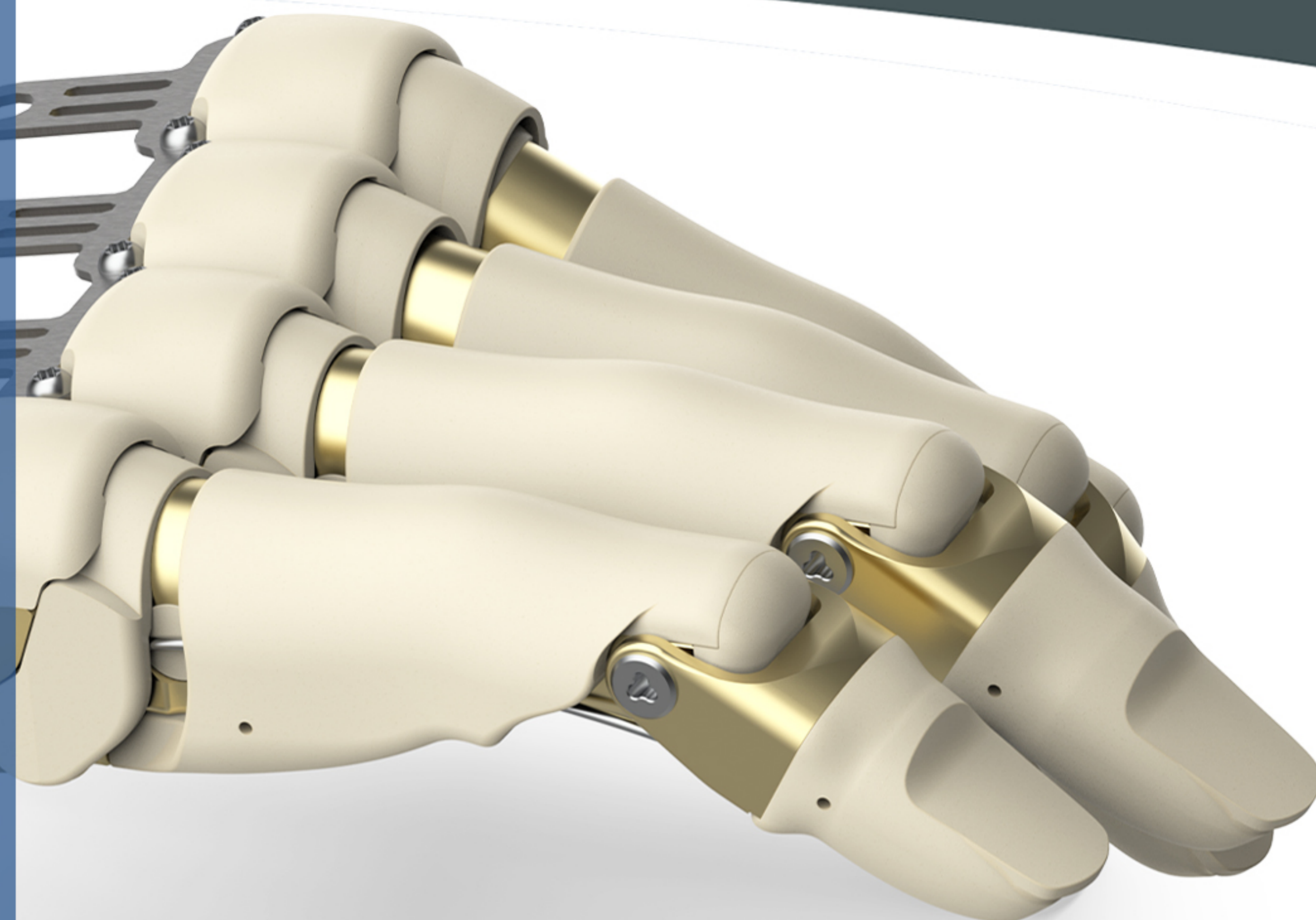
www.vincentssystem.de

Phone: +49 (0) 721 480 714 0 (Mon to Fri 9am-16pm CET)
sales@vincentssystem.de

Vincent Systems GmbH | Breite Straße 155 | 76135 Karlsruhe | Germany

Copyright © Vincent Systems GmbH

The assembly kit for all active partial hand prostheses



Waterproof to IP68

The fingers and the thumb of the VINCENTpartial4 are waterproof according to IP68. Washing hands under running water is possible, provided that the design of the prosthesis socket also permits this.

High grasping force

The developed gear concept gives the prostheses both a high grip strength and a high load capacity.

Simple control

Each finger and thumb is motorized and can move independently. To choose between the different grasps, only one trigger signal is needed due to our patented STC concept (Single Trigger Control). Alternatively, the Single Finger Control method (SFC) enables the 5 fingers to be controlled individually by up to 5 input signals. This allows a faster and more intuitive use of the prosthesis.

Precise grasps

The finger and thumb tips have been redesigned with fingernails to enable even more precise gripping of small objects. The index finger is touchscreen compatible and in the pinch grasp, the thumb position can be adjusted with the VINCENTmobile App. Therefore, the thumb and index finger meet at any time with high grasping force in the pinch grasp. Even the smallest of objects can be picked up without a problem.

25 color combinations

The colors black, white, pearl white, transparent and natural are available in combination with titanium or four different metallic colors: black, gold, blue, and copper.

Closed joints

The joints of the VINCENTfinger4 and VINCENTthumb4_active are completely covered in all positions. This prevents objects from being clamped as the fingers and thumb open.

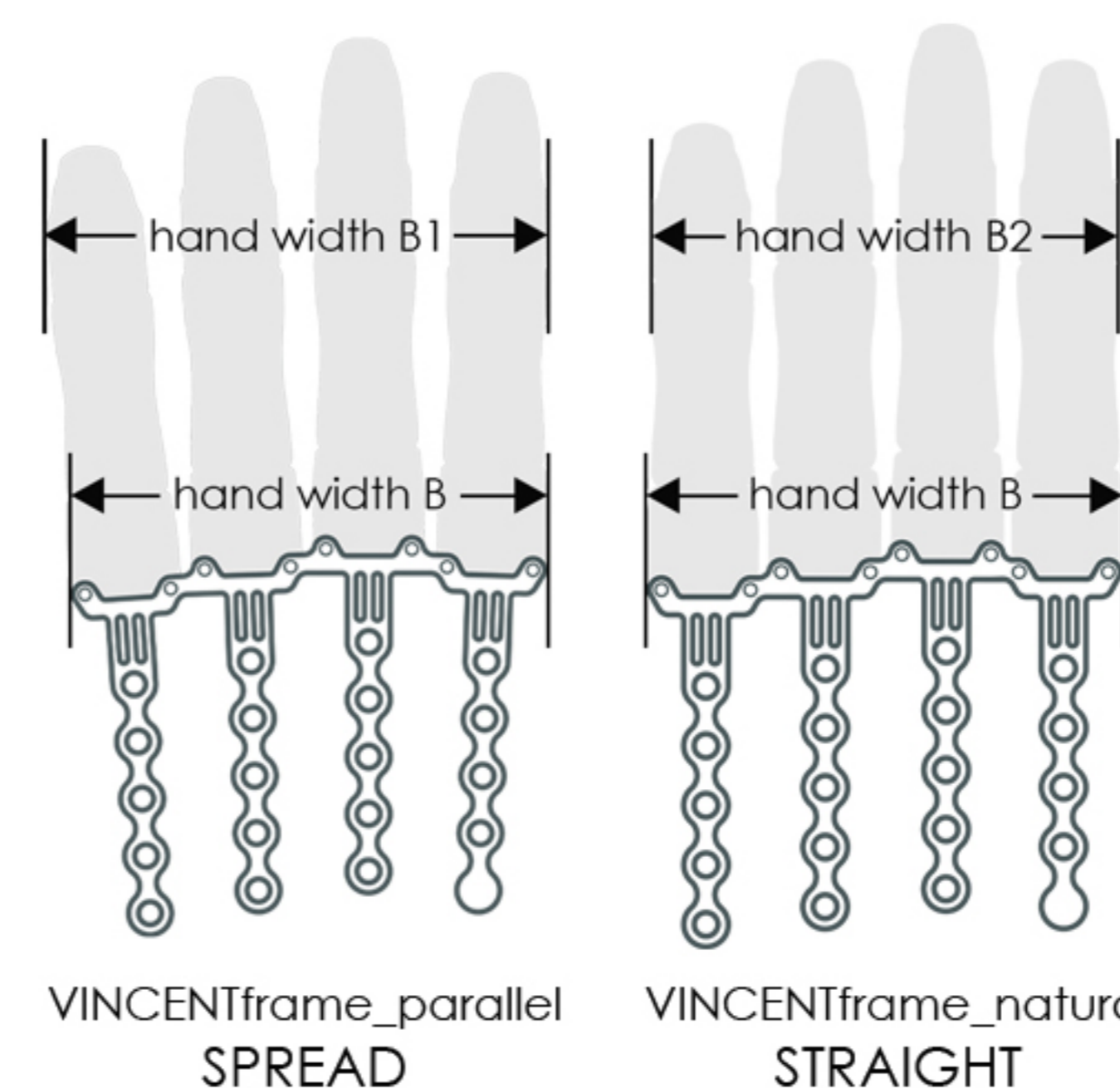


A prosthetic partial hand is a big challenge! With our components of the VINCENTpartial4 system, including active fingers and thumbs of different lengths and frames in 6 standard hand widths, any partial hand can be optimally supplied*. To control the partial hand the following accessories are required:

- Energy supply system VINCENTpower
- Control unit VINCENTcontrol
- Sensors (EMG sensors VINCENTemg or FSR force sensors VINCENTtouch)

For an artificial sense of touch, the feedback unit, VINCENTvibro must also be integrated in the socket.

* Alternatively, the active fingers can be combined with the passive thumb.

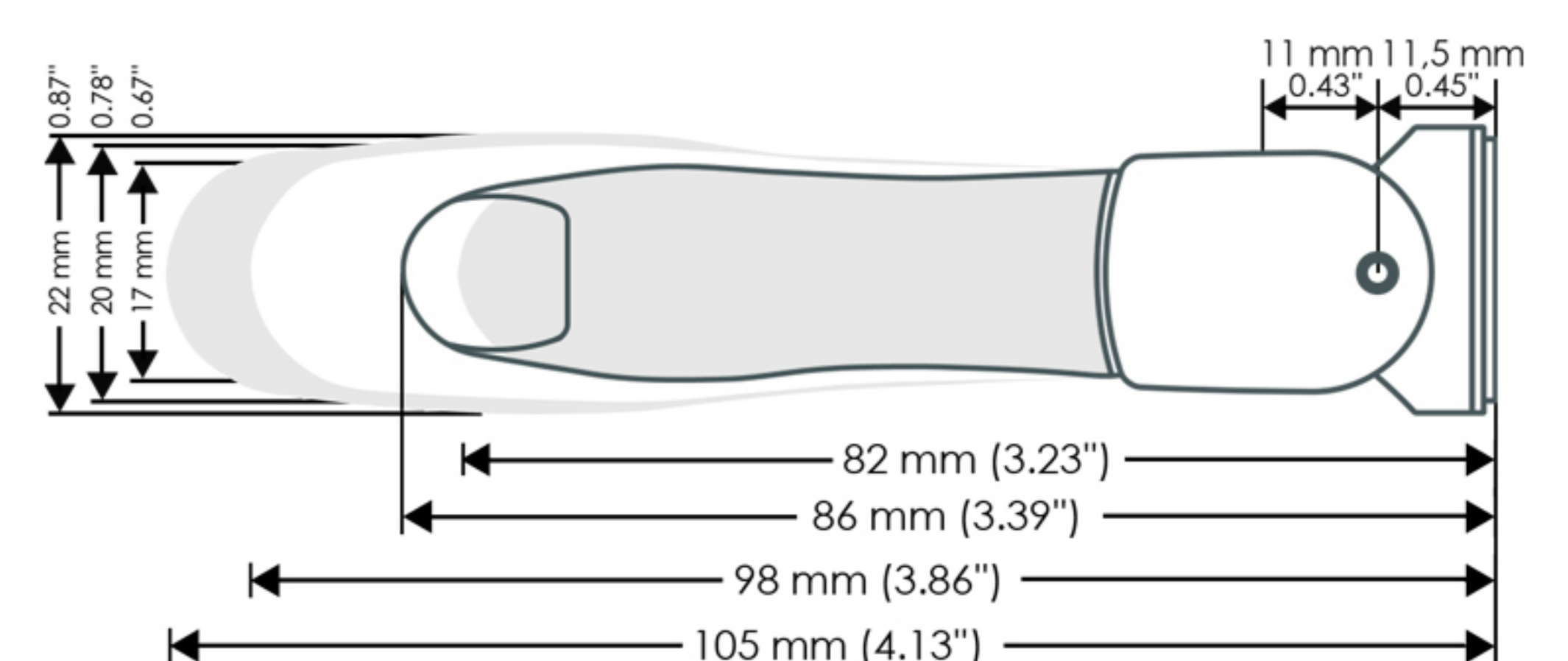


VINCENTframe4

| sizes | B [mm] | B [in] | B1 [mm] | B1 [in] | B2 [mm] | B2 [in] |
|------------|--------|--------|---------|---------|---------|---------|
| XS | 76 | 2.99 | 81 | 3.19 | 76 | 2.99 |
| S | 79 | 3.11 | 84 | 3.31 | 78 | 3.07 |
| M | 82 | 3.23 | 87 | 3.43 | 81 | 3.19 |
| L | 85 | 3.35 | 90 | 3.54 | 84 | 3.31 |
| XL | 88 | 3.46 | 93 | 3.66 | 87 | 3.43 |
| XXL | 91 | 3.58 | 96 | 3.78 | 90 | 3.54 |

New frame elements enables the choice of two different finger positions - straight or spread. In addition, the natural metacarpal arch can be reproduced by combining two different sized frames.

VINCENTthumb4_active



VINCENTfinger4

