

# VINCENTpower USB - instructions for the user

Battery system for medium and long arm stumps

## LED indication of the charging port \*

Prosthesis is off	Prosthesis is on	Charging: fully charged	Charging: is being charged	Charging: 1 cell is full, 1 cell is still being charged	

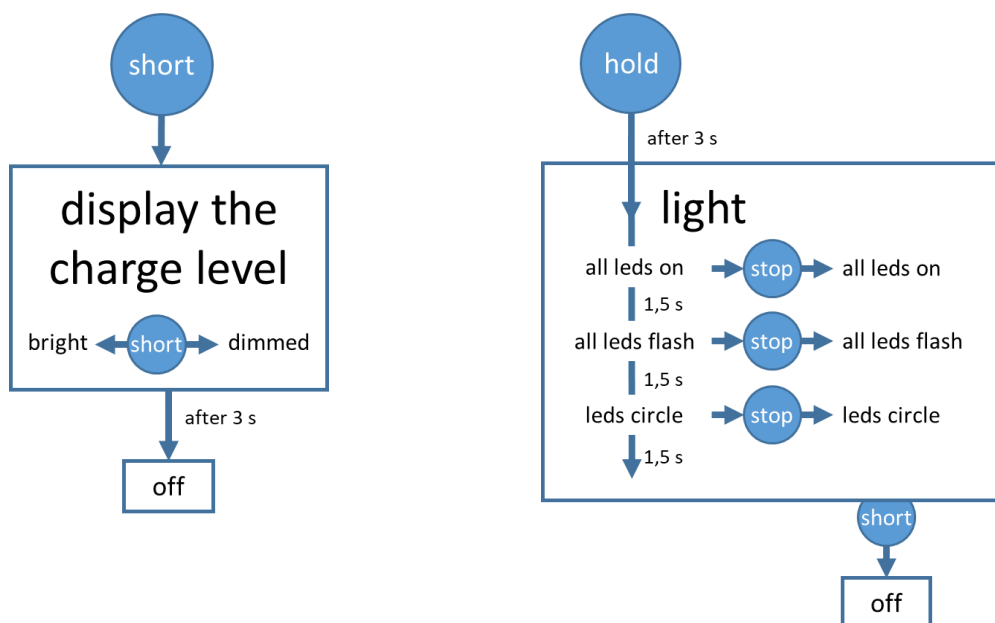
\* The light on the charger always lights green as soon as the power supply unit is plugged into the socket. It is independent of whether the batteries are already fully charged or not.

## Functions of the battery monitor

- When the prosthesis is switched on, all LEDs in the circle light up once.
- If you press the button once shortly, the charge status of the batteries is displayed.
  - If the LED display is still lit and the button is pressed again, the display is dimmed or made very bright again.
  - After 3 seconds the charge level indicator automatically switches off again.
  - If the display is turned on again, it will light up again completely brightly or dimmed again, exactly as brightly as before the last switch-off.
- If the button is pressed for 3 seconds, all LEDs of the charge level indicator light up.
  - If you release the button now, all LEDs remain on like a flashlight until you switch them off again by briefly pressing the button.
- If the button is pressed for a total of 4.5 seconds: First all LEDs of the charge level indicator light up, then they all flash.
  - If you release the button now, all LEDs will continue to blink until you switch the function off again by briefly pressing the button.
- If the button is pressed for a total of 6 seconds: First all LEDs of the charge level indicator light up, then they all flash and finally there is always a single LED in a circle one after the other.
  - If you release the button now, the LED will continue to circulate until you turn the function off again by briefly pressing the button.



short – less than 3 seconds  
hold – longer than 3 seconds  
stop – release button



# VINCENTpower USB - instructions for mounting

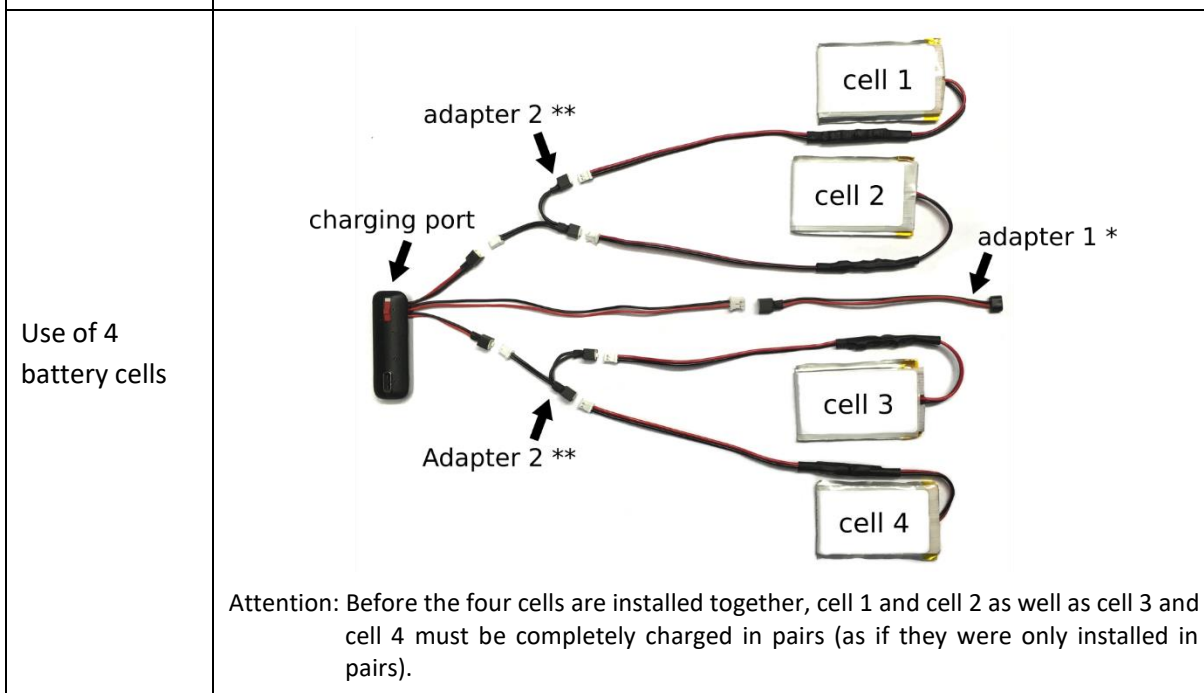
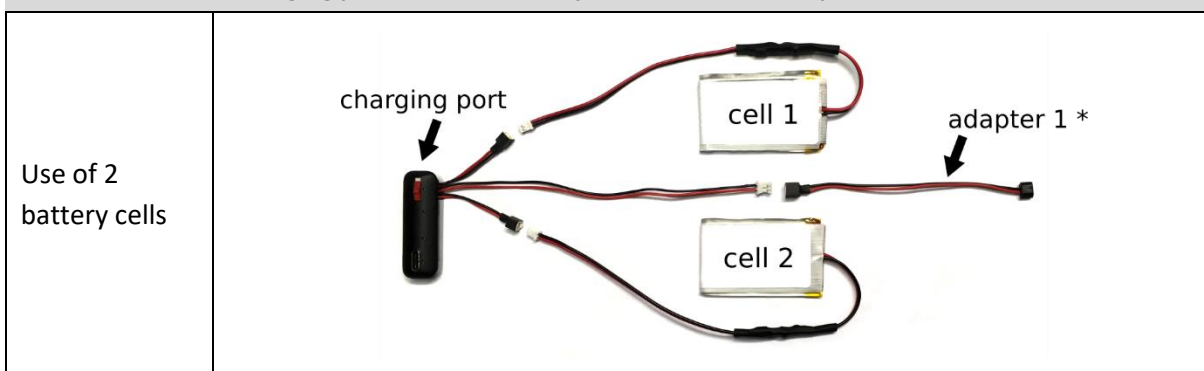
Battery system for medium and long arm stumps

## Possible configurations

Cell size	small cells (420mAh)		large cells (1290mAh)	
Configuration	2 small cells	4 small cells	Configuration	2 small cells
total capacity	420mAh	840mAh	total capacity	420mAh

Attention: small and large cells must not be combined!

## Connection of the charging port with the battery cells and the battery monitor



\* Adapter 1: Adapter cable between charging port and coaxial connector, required for *VINCENTevolution* and *VINCENTyoung*, for the *VINCENTpartial* not required.

\*\* Adapter 2: Adapter cable to use 4 cells instead of 2 cells

